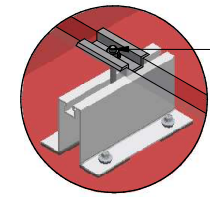
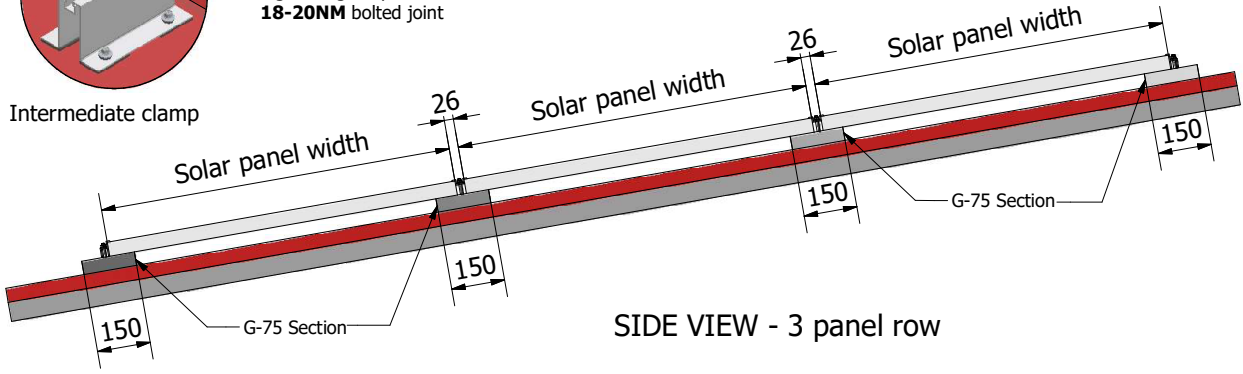


FRONT VIEW - 2 consecutive rows

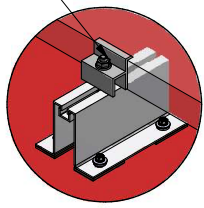


Tightening torque  
**18-20NM** bolted joint



SIDE VIEW - 3 panel row

Tightening torque  
**18-20NM** bolted joint



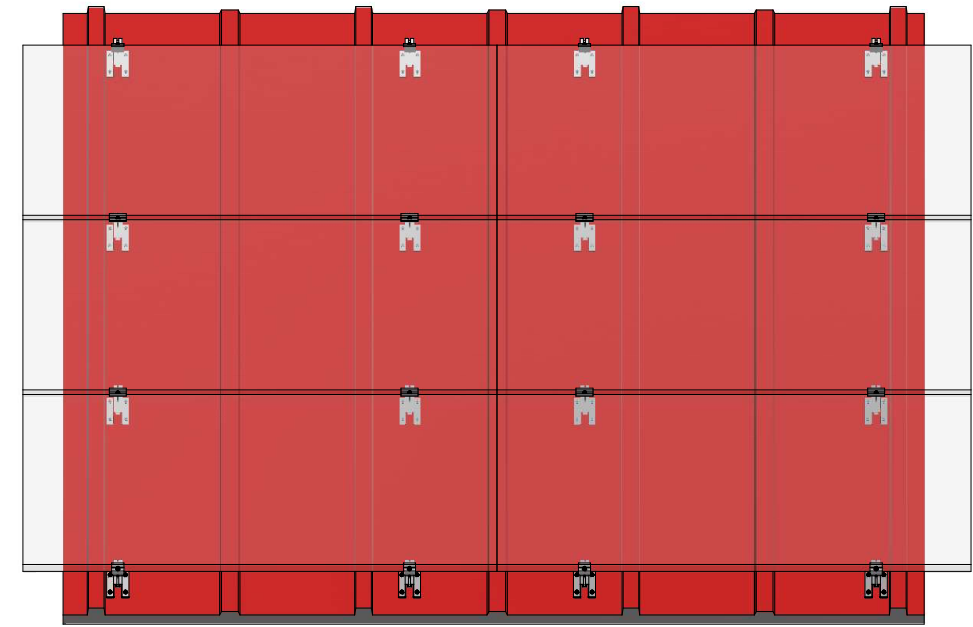
Grapa Final



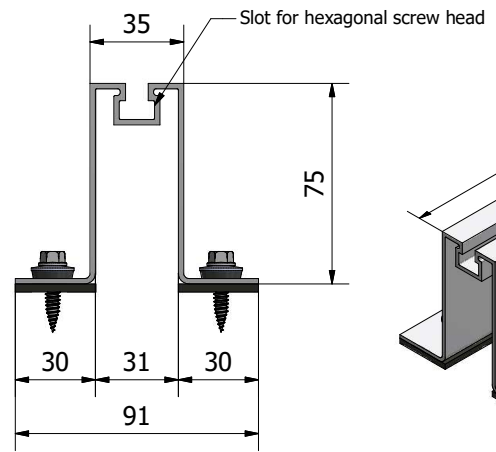
Sections Layout



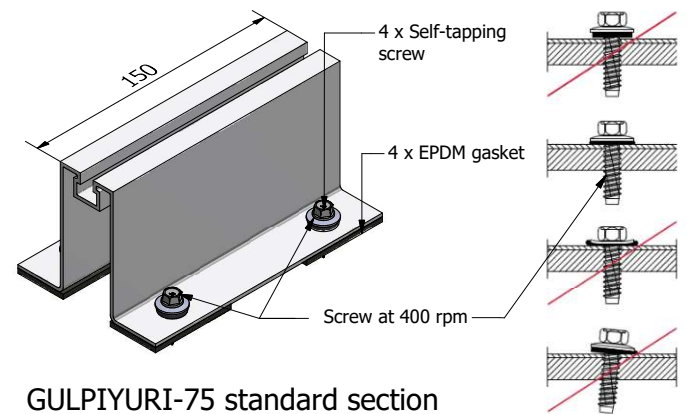
Panels + structure



PLAN VIEW - 2 3 panel rows



GULPIYURI-75 Profile



GULPIYURI-75 standard section

*The section is supplied machined and with glued EPDM gaskets.*

|                                   |                            |                                      |  |
|-----------------------------------|----------------------------|--------------------------------------|--|
| Designed by<br>Marcelino Palacios | Revised by<br>Wenceslao F. | Approved by<br>Javier Fernández-Font | Date<br>10/06/2021                             |
|                                   |                            |                                      | Sectional structure system.                    |
|                                   |                            |                                      | Structure with direct fixation to sheet metal. |
|                                   |                            |                                      | GULPIYURI-75 blueprint type                    |