

Type A purlin

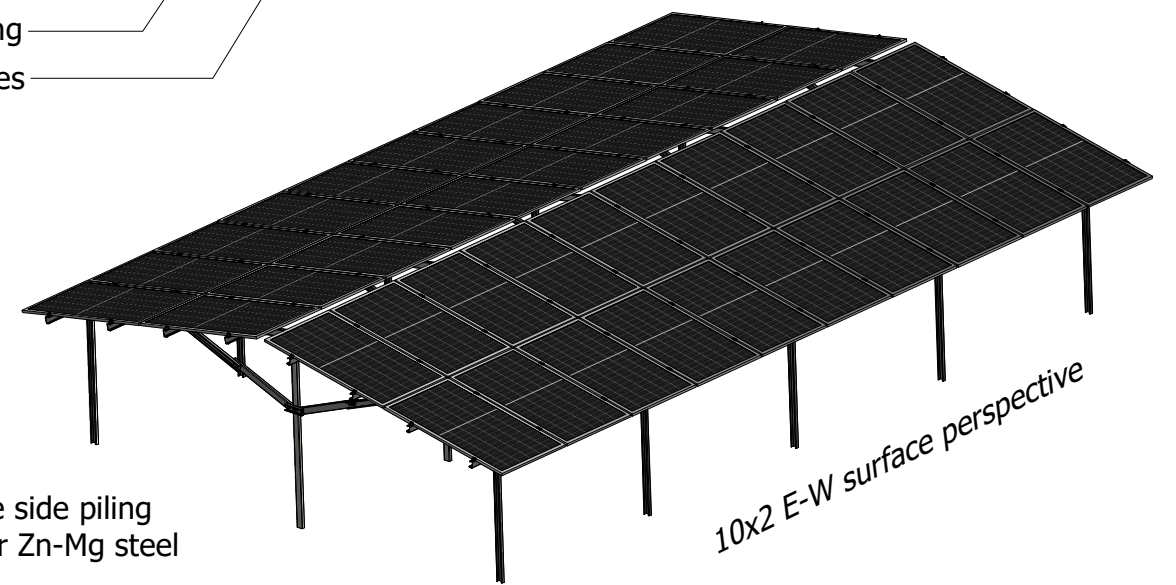
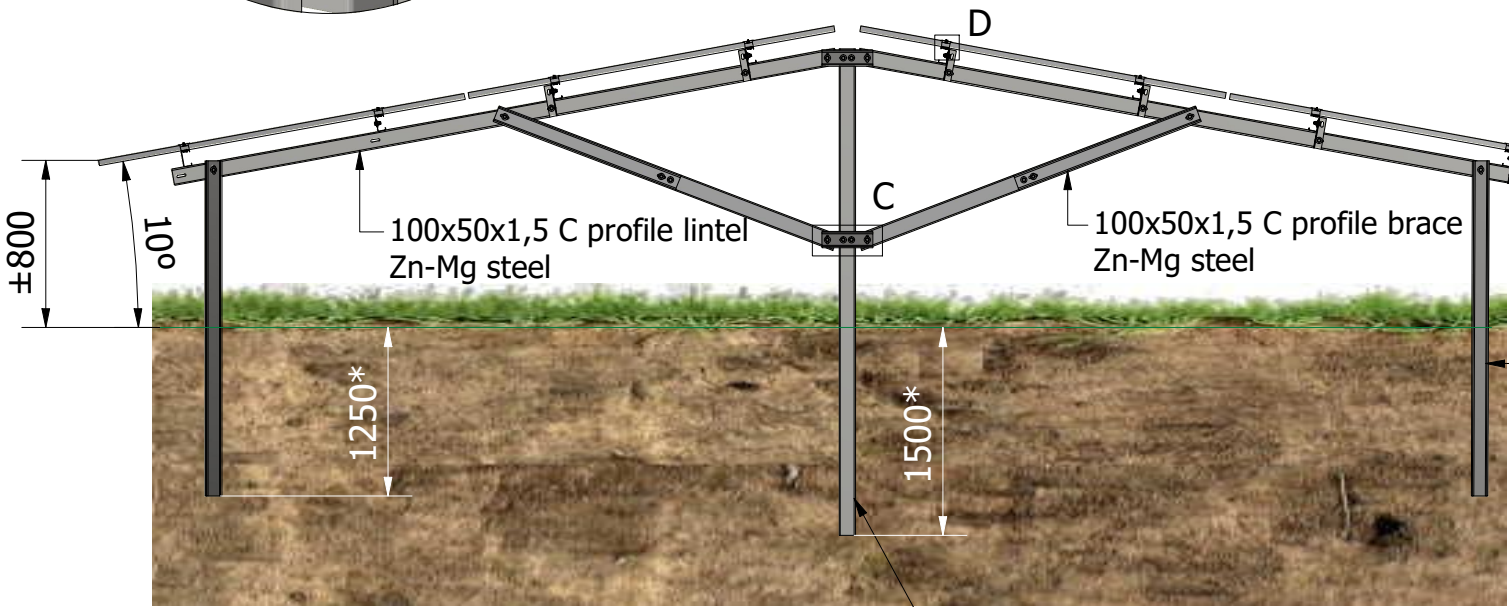
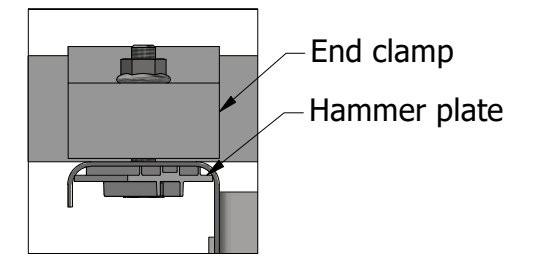
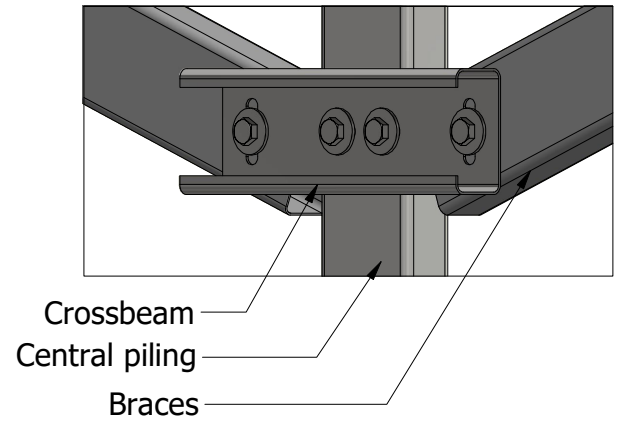
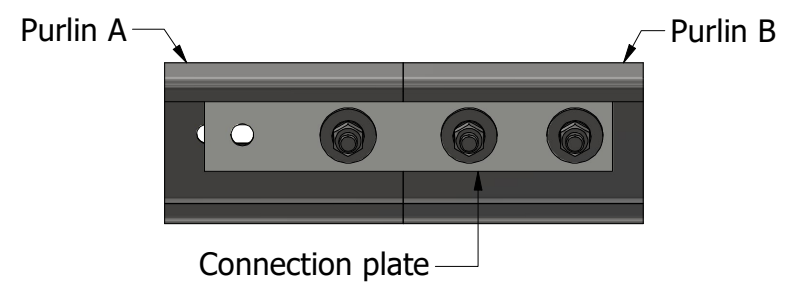
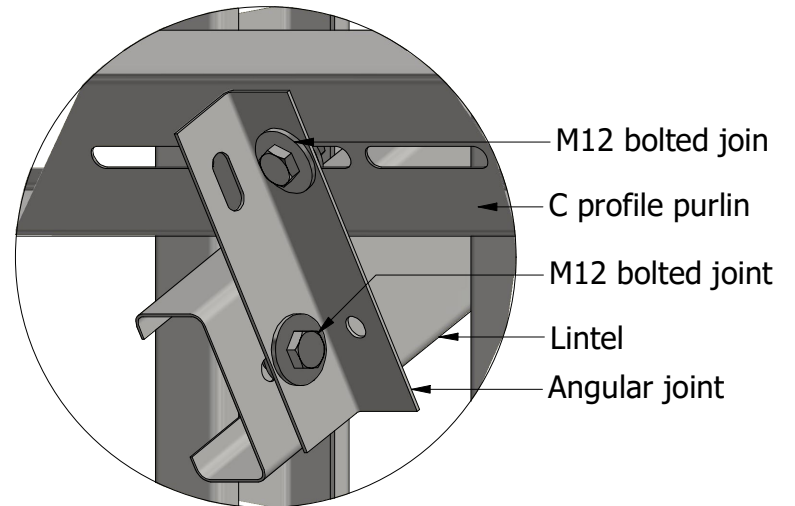
Type B purlin

Detail A
Purlin-lintel coupling

Detail B
Connection between purlins

Detail C
Lintels connection to crossbeam

Detail D
Hammer plate lock



*Note:
Standard piling depths.

Drawn by Sara Segade	Revised by Marcelino Palacios	Approved by Javier Fernández-Font	Date 07/05/2023
		10x2 E-W surface blueprint type to 10°	
		Pure steel MUNIELLOS system	