

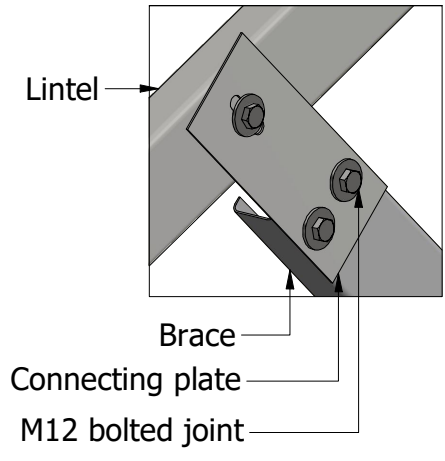
Type A Purlin

Type B Purlin

Type A' Purlin

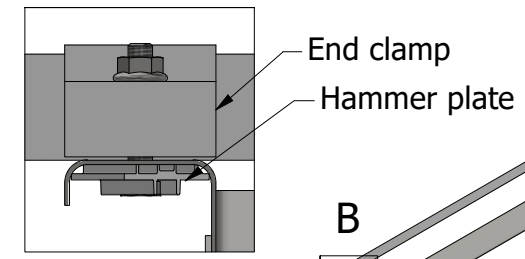
Detail A

Lintel-brace connection via a connecting plate



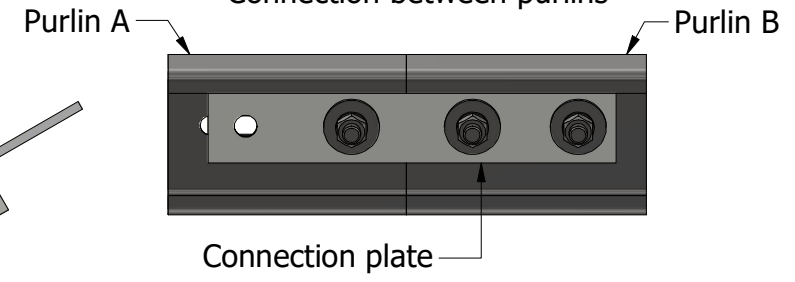
Detail B

Hammer plate lock



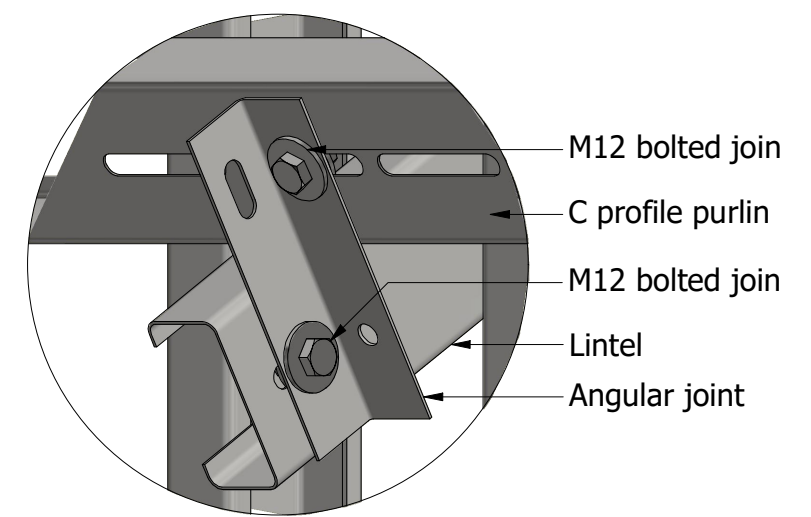
Detail C

Connection between purlins



Detalle D

Purlin-lintel coupling

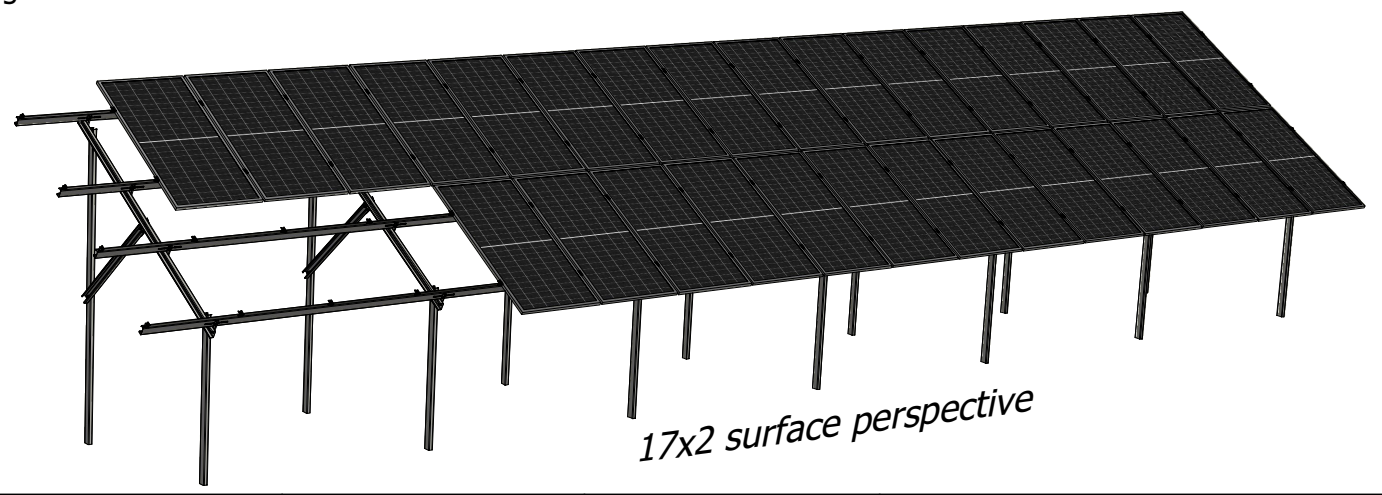
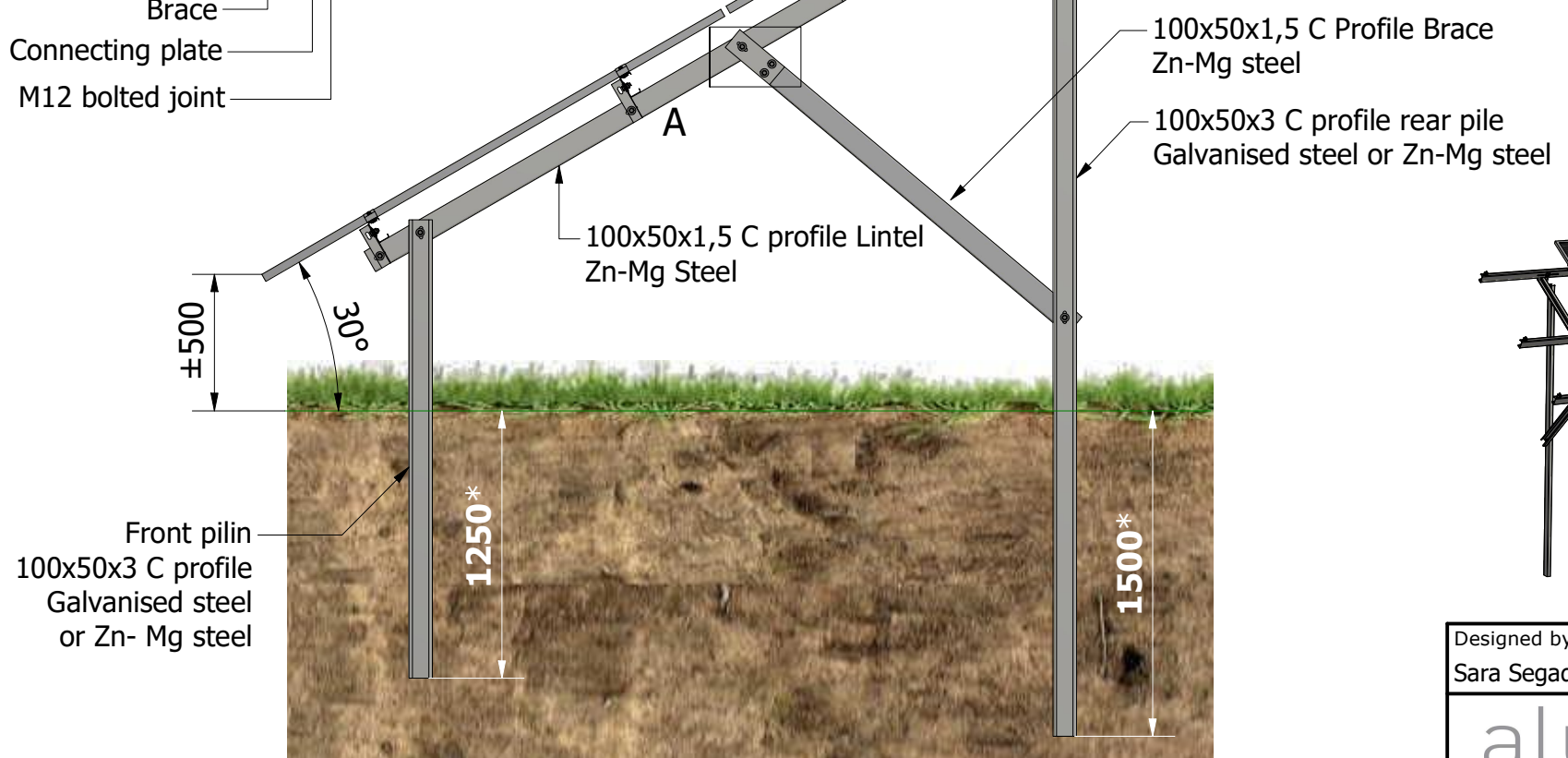


Lintel
Brace
Connecting plate
M12 bolted joint

End clamp
Hammer plate

Purlin A
Purlin B
Connection plate

M12 bolted joint
C profile purlin
M12 bolted joint
Lintel
Angular joint



17x2 surface perspective

*Note:
Standard piling depths.

Designed by Sara Segade	Revised by Marcelino Palacios	Approved by Javier Fernández-Font	Date 25/04/2023
		17x2 at 30° surface blueprint type	
		Pure steel MUNIELLOS system	